



WILLIBALD
innovation with passion

Compost Turner | Series | TBU 3P

TBU

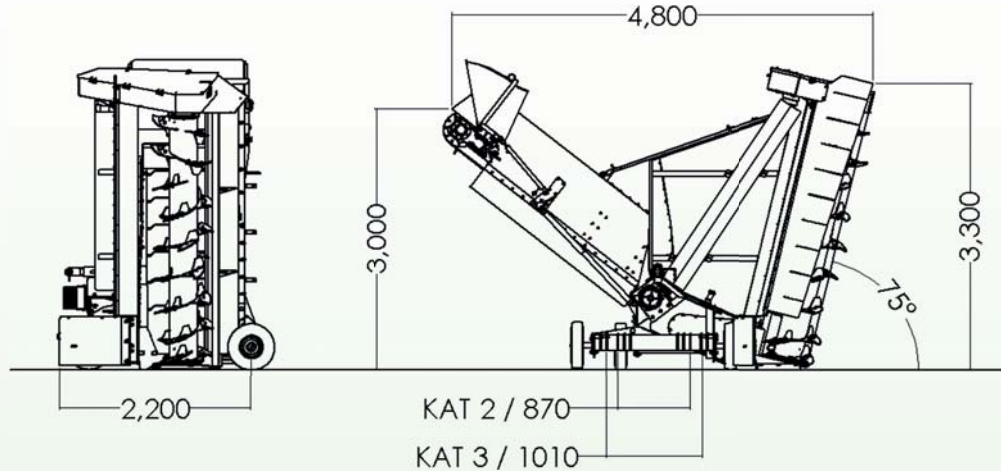
Compost-Windrow-Turner
for 3-point linkage of a tractor



Technical Data



TBU 3P



To achieve rapid compost ripeness in high quality, it makes sense to restack precisely the compost heaps vertically. Here the TBU 3 P comes into: The mobile compost turner for 3-point linkage for a tractor with a minimum of 130 HP engine is a compact and affordable machine with high throughput, which is easy to handle. It allows a „turning speed“ with 0,5 km/h and more for heights of compost heaps up to 3.0 meters

Technical Data TBU 3P

Operating Mode	fixed at the 3-point linkage of a tractor with a minimum of 130 HP engine with creep-speed option that starts at 0,5 km/h
Drive	via tractor power take off (PTO)
Operating control	via tractor hydraulic system
Dimensions (LxWxH)	4.850 x 2.450 x 3.300 mm
Weight	3.200 kg
Width of conveyor belt	100 cm
Throughput	up to 1.200 m ³ /h
Milling depth	up to 50 cm ; depending on the used tractor type and quality of the processed material

Changes to technical data is reserved. Copying and reprint only allowed with our permission.



...► TBU in action: Restacking of trapezoidal heaps up to 3 meters with 0,5 km/h more



...► The TBU 3P is equipped with a low-maintenance belt drive.



...► Connection by stable PowerDrive PTO shaft with overload clutch